



INSTALLATION, OPERATION & MAINTENANCE INSTRUCTIONS

1455 Kleppe Lane ♦ Sparks, NV 89431-6467 ♦ (775) 359-4712 ♦ Fax (775) 359-7424
E-mail: haws@hawsco.com ♦ website: www.hawsco.com

No. 2067461(15)

Model 8309WC Barrier Free Shower & Eye/Face Wash

NOTE TO INSTALLER: Please leave this information with the Maintenance Department.

LIMITED WARRANTY

HAWS® warrants that all of its products are guaranteed against defective material or poor workmanship for a period of **one year from date of shipment**. HAWS liability under this warranty shall be discharged by furnishing without charge F.O.B. HAWS Factory any goods, or part thereof, which shall appear to the Company upon inspection to be of defective material or not of first class workmanship, provided that claim is made in writing to company within a reasonable period after receipt of the product. Where claims for defects are made, the defective part or parts shall be delivered to the Company, prepaid, for inspection. HAWS will not be liable for the cost of repairs, alterations or replacements, or for any expense connected therewith made by the owner or his agents, except upon written authority from HAWS, Sparks, Nevada. HAWS will not be liable for any damages caused by defective materials or poor workmanship, except for replacements, as provided above. Buyer agrees that Haws has made no other warranties either expressed or implied in addition to those above stated, except that of title with respect to any of the products or equipment sold hereunder and that HAWS shall not be liable for general, special, or consequential damages claimed to arise under the contract of sale.

The emergency equipment manufactured by HAWS is warranted to function if installation and maintenance instructions provided are adhered to. The units also must be used for the purpose, which they were intended. This product is intended to supplement first-aid treatment. Due to widely varying conditions HAWS cannot guarantee that the use of this emergency equipment will prevent serious injury or the aggravation of existing or prior injuries.

NO OTHER WARRANTIES EXPRESSED OR IMPLIED ARE AUTHORIZED, PROVIDED OR GIVEN BY HAWS.

SHOULD YOU EXPERIENCE DIFFICULTY WITH THE INSTALLATION OF THIS MODEL, PLEASE CALL:

1-800-766-5612

FOR PARTS CALL:

1-800-758-9378

**(U.S.A. AND CANADA ONLY) MONDAY-THURSDAY: 6:00 A.M. – 4:00 P.M. PST
FRIDAY: 6:00 A.M – 1:00 P.M. PST**

LOCATION OF UNIT: The Model 8309WC Barrier Free Emergency Shower should be installed in close proximity to potential accident areas. It should be clearly identified, free from obstructions and easy to access.

SUPPLY LINE: The minimum recommended line size is 1-1/4" IPS with 30-90 psi (2-6 ATM) flowing pressure. Where sediment or mineral content is a problem, an inlet filter is recommended.

PLUMBING CONNECTIONS: Inlet supply is 1-1/4" IPS. Waste outlet is 1-1/4" IPS.

INSTALLATION PROCEDURE

Refer to Installation drawing for parts list to insure all required parts are included. Use pipe joint sealant PST #565 (clarification. Check Loctite) on all connections.

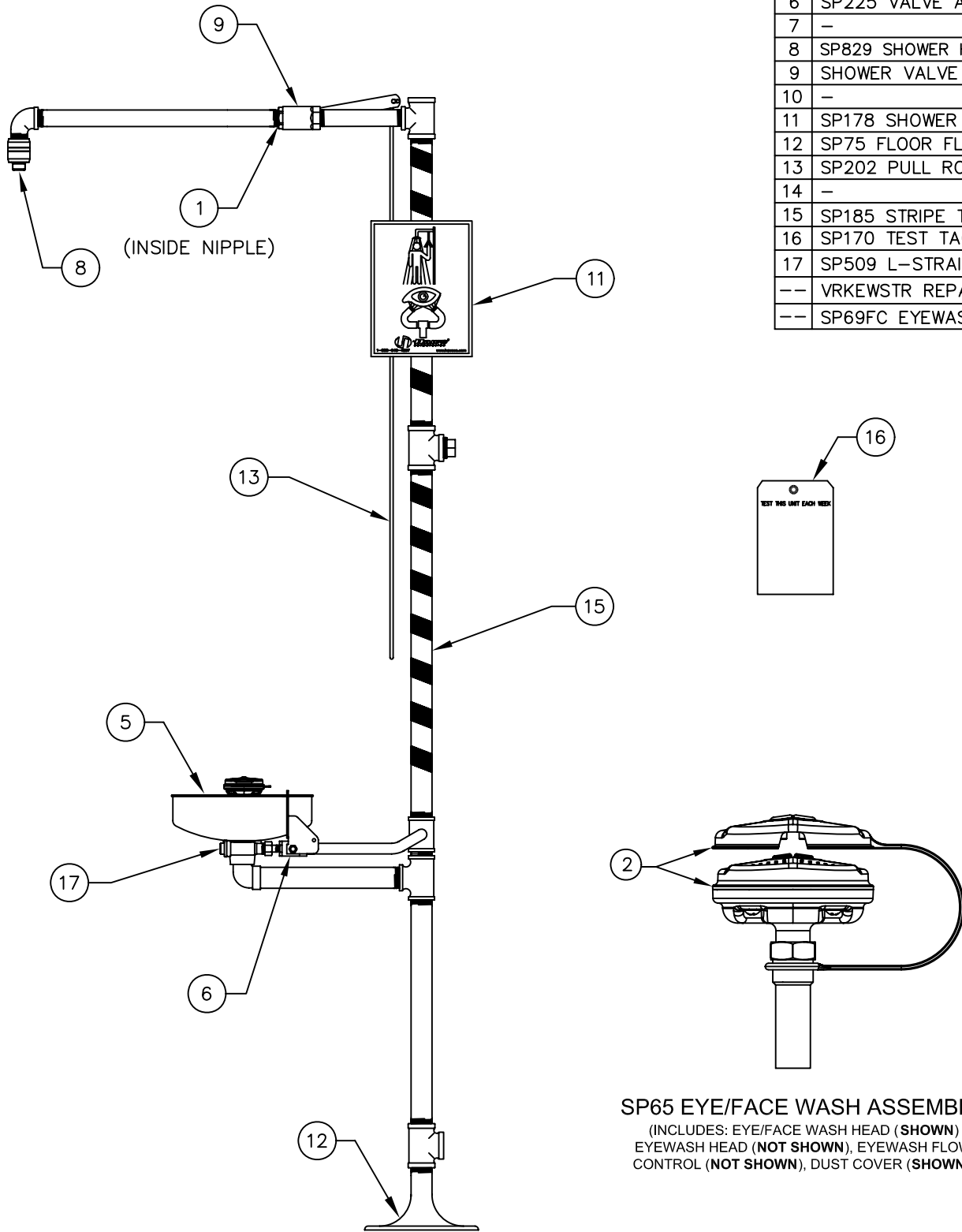
- Step 1:** Prepare the emergency shower foundation by using the floor flange assembly as a template. Locate the three holes for the 3/8-16 UNC x 6" anchor bolts (not supplied). They should extend 1" above the floor level.
- Step 2:** Once the concrete foundation is ready (dry), assemble the floor flange assembly to the anchor bolts; then securely fasten with 3/8-16 UNC Hex Nuts and 3/8" washers (not supplied). Seal and tighten floor flange and tee making certain the waste tee is facing the proper location and the foot control holes are facing side to side.
- Step 3:** Assemble nipple (1-1/4" x 19") to the floor flange assembly and tighten with a pipe wrench.
- Step 4:** Assemble the eyewash loop assembly to the 19" nipple from step three. Connect the pipe wrench to the galvanized nipple between the two tees to avoid damage.
- Step 5:** Assemble in the following order:
Attach nipple (1-1/4" x 28-3/4") and tee (1-1/4") onto the loop assembly.
Attach nipple (1-1/4" x 24") onto the tee.
Attach tee (1-1/4" x 1-1/4" x 1") onto nipple.
Attach valve assembly onto tee.
Attach street elbow (1") onto nipple (1" x 12-1/2") and insert flow control assembly, tapered end first, on opposite end of nipple (1"). See SP829 Installation Drawing for details. Attach nipple with flow control onto valve.
- Step 6:** Assemble showerhead onto street elbow (1").
- Step 7:** Assemble the sign onto the unit. Use the strap, screws, washers and nuts provided, to mount the sign onto the upright. The sign should be positioned for maximum visibility.
- Step 8:** Insert the galvanized plug into the optional supply line tee that is not used. Before connecting the supply water line to the emergency shower, **FLUSH THE LINE THOROUGHLY.**

TROUBLESHOOTING

PROBLEM	REPAIR CHECKLIST
1. No flow.	1. Check the main shut-off valve.
2. Insufficient water flow, shower and eyewash.	2. Verify minimum 30 psi (2 ATM) flowing supply line pressure.
3. Insufficient water flow on eyewash, however, shower is sufficient.	3a. Verify minimum 30 psi (2 ATM) flowing supply line pressure b. Probable clogging of flow control due to inadequate line flushing. Unscrew eye/face wash head and remove the four screws to disassemble the head. Clean flow control and reassemble head. See SP65 Installation Drawing for details. c. Remove cap located on L – Strainer using a 3/8" allen wrench to access and clean filter screen.
4. Eyewash or face wash streams do not meet desired eye level or are not balanced.	4a. Possible blocked flow control see above solution. (Possible non-leveled eyewash assembly.)
5. Insufficient water flow at the showerhead, however, eyewash is sufficient.	5a. Probable clogging of flow control located between 1" nipple and outlet side of 1" valve on shower arm assembly. Unscrew and clean plastic flow control. See SP829 Installation Drawing for details. Reassemble flow control with tapered end going into 1" nipple.
6. Water does not drain properly.	6a. Check your drain system for debris. Check the main waste line of your building to see if it does handle the capacity required for the entire drainage system.
7. Water leak between joints or fittings.	7a. Tighten loose connections. If leak persists, the application of hot water will sometimes reseal improperly applied joint compound. After 30 minutes wait and retest, a persistent leak will necessitate reassembly and additional sealant.

PARTS BREAKDOWN

ITEM	DESCRIPTION
1	20 GPM FLOW CONTROL ASSY
2	SP65 EYE/FACE WASH ASSY
3	-
4	-
5	SP90 BOWL
6	SP225 VALVE ASSEMBLY
7	-
8	SP829 SHOWER HEAD
9	SHOWER VALVE ASSEMBLY
10	-
11	SP178 SHOWER SIGN
12	SP75 FLOOR FLANGE
13	SP202 PULL ROD, 44"
14	-
15	SP185 STRIPE TAPE
16	SP170 TEST TAG
17	SP509 L-STRAINER
--	VRKEWSTR REPAIR KIT
--	SP69FC EYEWASH ASSEMBLY



SP65 EYE/FACE WASH ASSEMBLY
 (INCLUDES: EYE/FACE WASH HEAD (SHOWN)
 EYEWASH HEAD (NOT SHOWN), EYEWASH FLOW
 CONTROL (NOT SHOWN), DUST COVER (SHOWN))

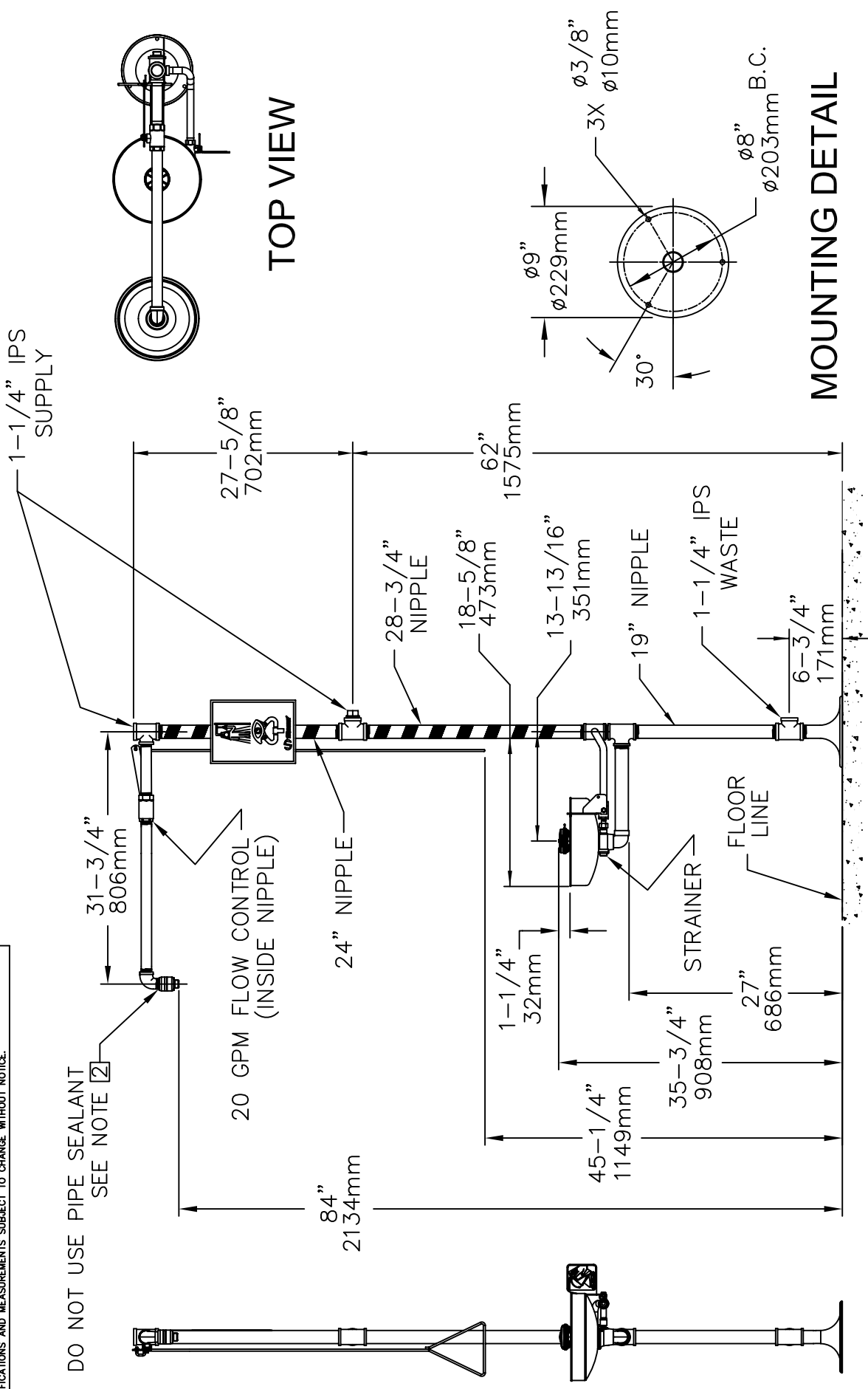
**WHEN ORDERING
 PARTS PLEASE
 SPECIFY YOUR
 MODEL NUMBER**



1455 KLEPPE LANE BACHWEG 3
 SPARKS, NEVADA CH3401 BURGDORF
 SWITZERLAND

DRAWN BY: D.O.	DATE: 07/30/96	CHECK BY:	APP'D BY:	SCALE: 1/6
TITLE: 8309WC			PART NUMBER: 0002067461	
DRAWING TYPE: PARTS BREAKDOWN			DRAWING NUMBER: 12553C00	REV. 15

THIS DOCUMENT IS TRUE AND CORRECT AT TIME OF PUBLICATION. CONTINUED PRODUCT IMPROVEMENTS MAKE SPECIFICATIONS AND MEASUREMENTS SUBJECT TO CHANGE WITHOUT NOTICE.



NOTES:

- TO COMPLY WITH ANSI Z358.1-2004 FOR EMERGENCY EYEWASH OR EYEFACE WASH AND SHOWER EQUIPMENT:
 - UNIT SHALL BE INSTALLED IN ACCORDANCE WITH MANUFACTURER'S INSTRUCTIONS AND ACCEPTABLE PLUMBING PRACTICES.
 - EYEWASH OR EYEFACE WASH SHALL BE POSITIONED WITH NOZZLES NOT LESS THAN 83.8 CM (33 IN.) AND NO GREATER THAN 114.3 CM (45 IN.) FROM SURFACE ON WHICH USER STANDS AND 15.3 CM (6 IN.) MINIMUM FROM WALL OR NEAREST OBSTRUCTION.
 - SHOWER SHALL BE POSITIONED SO THAT SHOWER HEAD IS NOT LESS THAN 208.3 CM (82 IN.) NOR MORE THAN 243.8 CM (96 IN.) FROM SURFACE ON WHICH USER STANDS.
 - SHOWER SPRAY PATTERN SHALL HAVE A MINIMUM DIAMETER OF 50.8 CM (20 IN.) AT 152.4 CM (60 IN.) ABOVE SURFACE ON WHICH USER STANDS, AND CENTER OF SPRAY PATTERN SHALL BE LOCATED AT LEAST 40.6 CM (16 IN.) FROM ANY OBSTRUCTION.
- IF NECESSARY, USE DOW CORNING 832 SEALANT, PLACING 5 SMALL BEADS ON THE MALE THREADS, JUST ABOVE THE FIRST THREAD.
- *THESE DIMENSIONS MAY VARY ±1/2" [12.7mm]

Haws Corporation
 INFO FAX : 1-888-FAX-HAWS (1-888-329-4297)
 1455 Kleppe Ln, Sparks NV, 89431
 Phone: 775-359-4712 Fax: 775-359-7424
 Haws Ag, Bachweg 3, CH-3401 Burgdorf Switzerland
 Haws Mfg Pte Ltd 74 Sungai Kadut Loop Singapore 729531
 e-mail: Haws@hawsco.com website: www.hawsco.com

FOR NO.	REVISED PER	DATE	BY
8309WC	ECN: 4231	07/96	
MODEL(S): BARRIER FREE SHOWER AND EYEFACE WASH	DATE	INFO FAX DOC #	SCALE: 1/8"
0007067461.D	8/30/96	2830992	INSTALLATION/FABRICK
DRAWN	DATE	INFO FAX DOC #	SCALE: 1/8"
12554A00	07/96	2830992	INSTALLATION/FABRICK
15			
1			